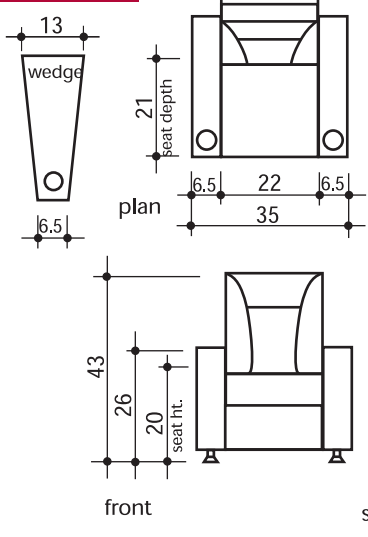


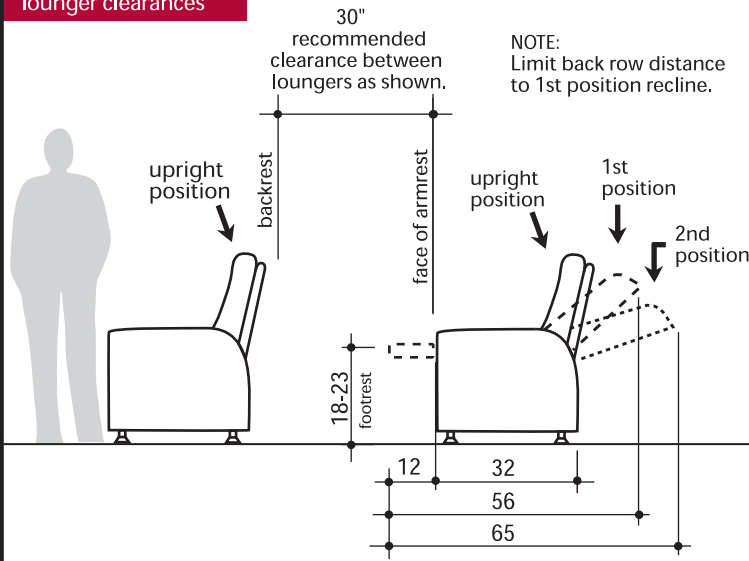
lounger basics



Tristar Lounger is available in:

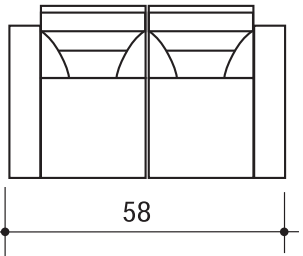
- single
- rows
- wedges
- loveseat
- sofa
- with or without cupholder

lounger clearances

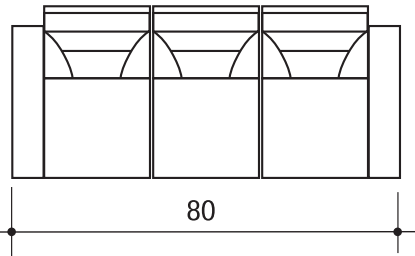


seating plans

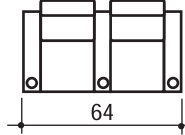
loveseat



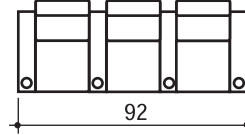
sofa



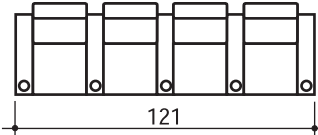
2 row



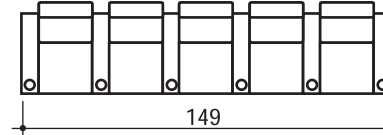
3 row



4 row



5 row



NOTE: Refer to Tristar Wedge sheet for multi-wedge configurations.

wedge configuration

